



30 EAGLEVILLE ROAD - EAGLEVILLE, PA 19403
PHONE: 610-631-0600 FAX: 610-631-0712

Customer Approval

Date:
Company:
Attention:
Sales Order #:
ISR:

- Approved fonts: (check one if artwork is unavailable)
 - Amerigo Bold
 - Futura Lite
 - Brush Script Regular*
 - Swiss 721 Roman

- ARTWORK FOR LOGOS SHOULD BE SUBMITTED AS EPS FILES OR:
 - ILLUSTRATOR FILES (NO JPEG), DXF, DWG AND IGES FOR HOT STAMP AND PAD PRINTING.
 - BMP AND JPEG FOR LASER ENGRAVING (PREFERRED).
- BLACK AND WHITE CAMERA READY ARTWORK IS ALSO ACCEPTABLE. IF THE PROPER FILE FORMAT IS NOT SUPPLIED, EXTRA CHARGES MAY BE INCURRED.
- ACTUAL SIZE OF IMPRINT MAY VARY, AS NECESSARY, FROM ARTWORK.

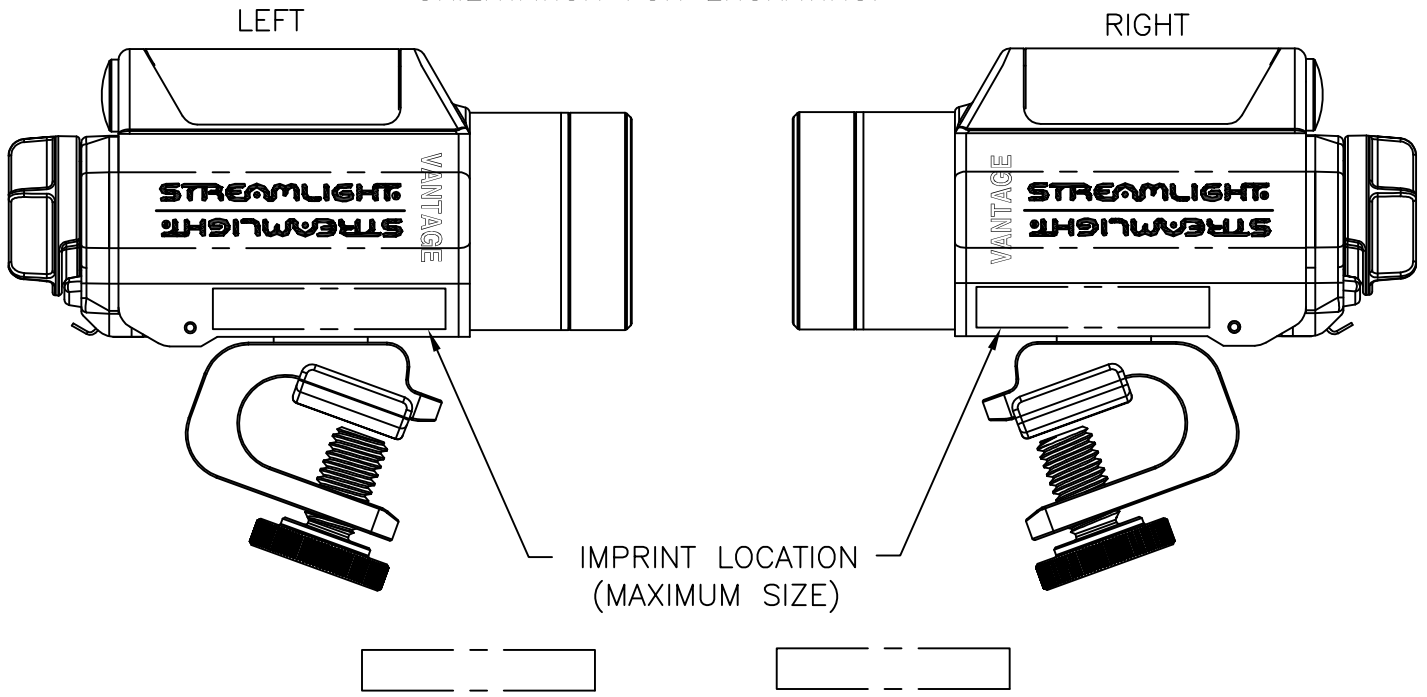
Your imprint order is ON HOLD pending approval of this layout.

- The undersigned acknowledges the exclusive right, title and interest in and to the proposed engraving word(s) and/or image free of any encumbrance or third party restriction and hereby authorizes and indemnifies the use of the same. Streamlight, Inc. reserves the right to cancel this request at any time if it determines said authority not valid for any reason.

Approved By: _____ Date: _____

IMPRINT GUIDE FOR VANTAGE

- IMPRINT BY LASER ENGRAVING ONLY.
- IMPRINT MUST BE SHOWN IN THE CORRECT ORIENTATION FOR ENGRAVING.



LEFT
1.25"L x .218"H

RIGHT
1.25"L x .218"H

REQUESTED IMPRINT
ORIENT AS SHOWN (SEE NOTE)